

OPTONICA

High Bay Light USER MANUAL



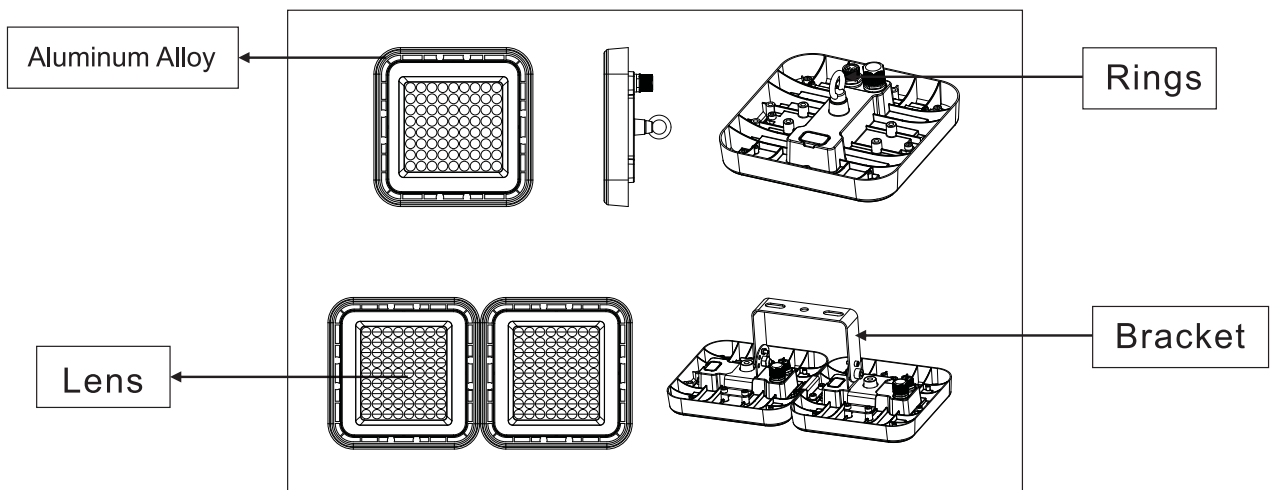
Features & Advantages

- Integrated cooling design, compact, elegant, efficient.
- UFO design and Ultra thin design.
Integrated Die-casting aluminum strengthen the heat dissipation.
- High luminous efficiency, using Well-known brand chip.
Super high lumen efficiency and uniform lighting intensity
- Using LIFUD/MEANWELL driver,
giving out high long-term reliable performance driver.
- High performance ,High PF ,flicker free
- Ip65 waterproof, suitable wet & tough environment

Specifications

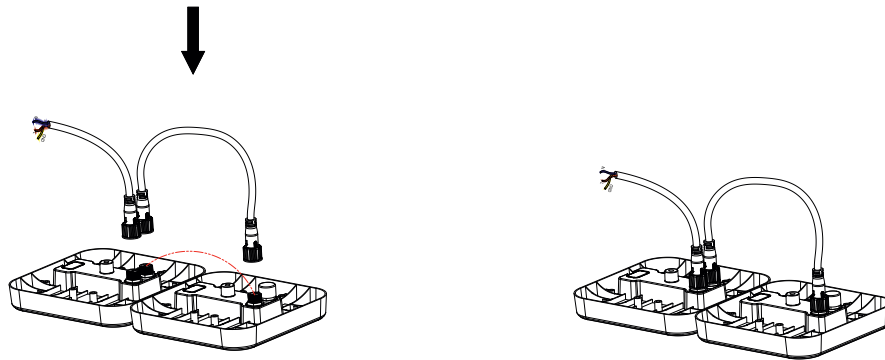
Voltage	AC180-260V 50/60Hz
Power factor	>0.9
Wattage	50W
Lumen	110-120lm/W
CRI	>80
Material	Aluminum black housing and Optical lens
Beam angle	90°
Color Temp	3000K - 4000K - 6500K 3 CCT Switched
Work Temp	-20°C — +50°C
Protection	IP65
Housing color	Black

Product Dimension

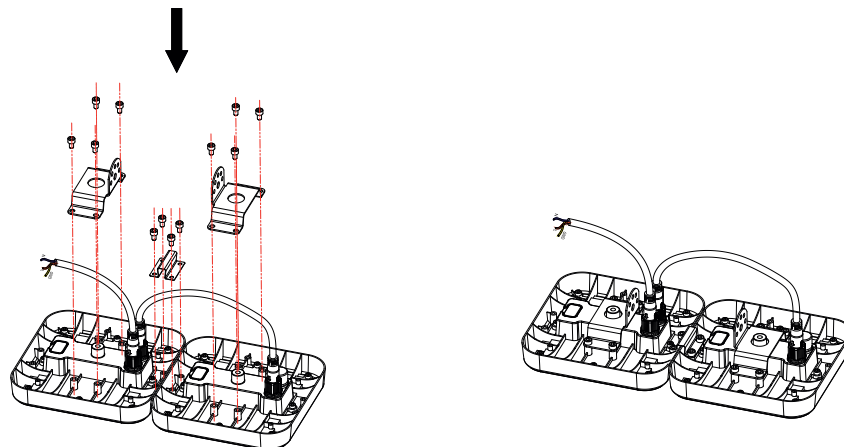


Installation:

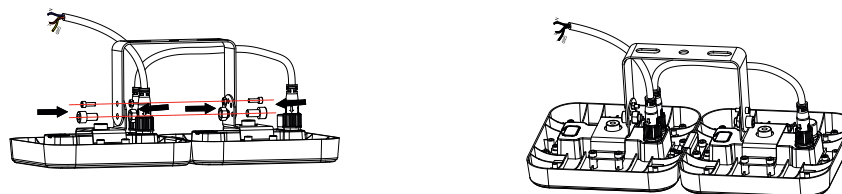
1.



2.



3.



This product should be disposed of responsibly at the end of its life. Please recycle where facilities exist. Check with your Local Authority or retailer for recycling advice (Waste Electrical and Electronic Equipment Directive)

Warning & Reminding

Important Safety Information

- Do not wire this lantern into the lighting circuit - use a switched fuse spur.
- Before installation and servicing, disconnect the electrical supply at the mains.
- Carefully observe all instructions or warnings that are labelled on, or supplied with, your product.
- This product is suitable for outdoor use. If in any doubt, consult a qualified electrician.

Fixing instructions

- Do not wire this lantern into the lighting circuit - use a switched fuse spur.
- This fitting must be earthed. contact a qualified electrician to install a suitable earth facility.
- Ensure the electricity is turned off at the mains before installing or maintaining any electrical fitting.
- Please note: For new installations, check for any electrical cables or pipe work (gas/water) in the vicinity of the intended mounting point for this product, before proceeding with the installation.

General Information

Do not mount ceiling/wall fittings onto damp surfaces such as newly painted or plastered areas as this may cause discolouration of the finish.

Tools which may be required:

- Drill
- Cross Head Screwdriver
- Small Electrical Slotted Screwdriver
- Insulation Tape

